



**WPS1** Wide input voltage range Power Supply

**Product type:** DC-DC Converter

**Model:** WPS1N524 -24V to -600V Input range, 5W, -24V output

**Description:**

WPS1 is a DC to DC down converter designed to accept wide range of input volts, making it ideal power supply for contactor coils, solenoids or solar panels. Pinout is compatible with Panasonic EHDRD3363 DC-DC converter.

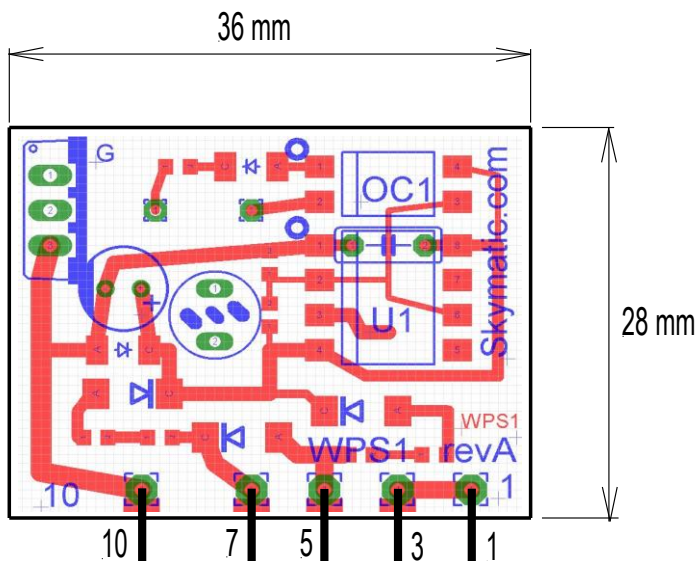
**Absolute Maximum Ratings:**

Input Volts:	-750 Vdc
Operating Ambient Temperature:	-30 to +70°C
Storage Temperature:	-40 to +85°C

**Operating Ratings:**

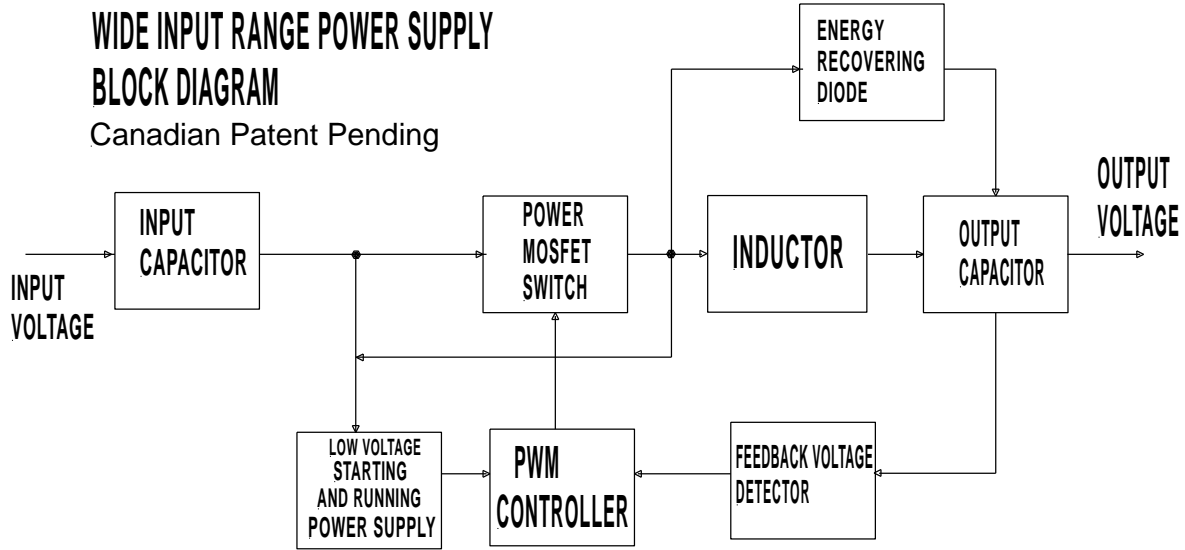
Input Voltage range (Vin):	-24 to -600 Vdc
Output Voltage (Vout):	-24 Vdc +/- 5%
Output Current (Iout):	-200mA max.
Output ripple voltage:	0.2 V
Efficiency:	50 to 95%

**Dimensions:**

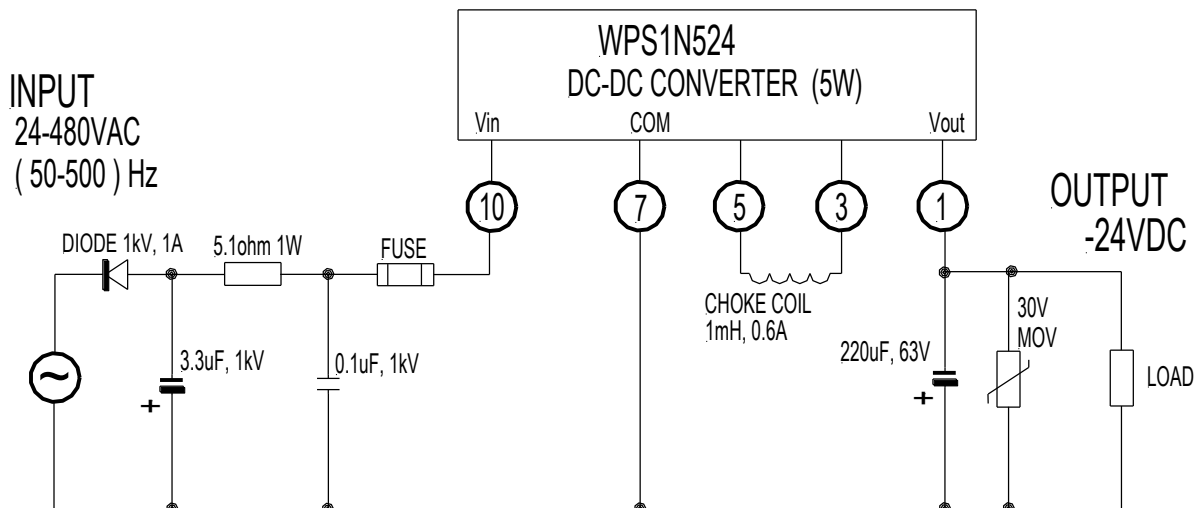


- 1 OUTPUT
- 3 CHOKE COIL
- 5 CHOKE COIL
- 7 COMMON
- 10 INPUT

**Block Diagram:**



**Typical Application:**



**Notes:**

Use Low impedance electrolytic capacitors  
Choke: Panasonic ELC11D series or equal

**Ordering Information:**

**WPS1N524** -24V to -600V Input range, 5W, -24V output